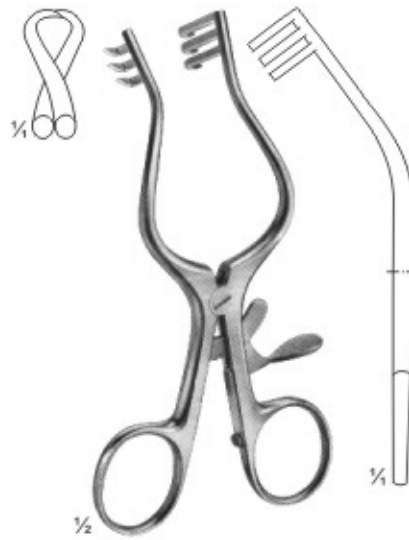


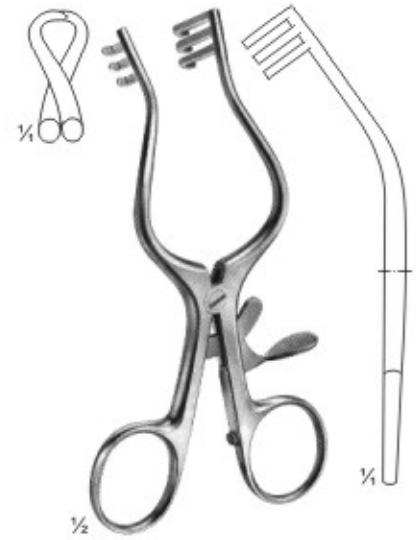
Self-Retaining Retractors Wundspanner



06-225
WEITLANER
sharp
130 mm



06-226
WULLSTEIN
sharp
130 mm



06-227
WULLSTEIN
blunt
130 mm



06-228
WEITLANER
sharp
165 mm



06-229
PLESTER
blunt
110 mm

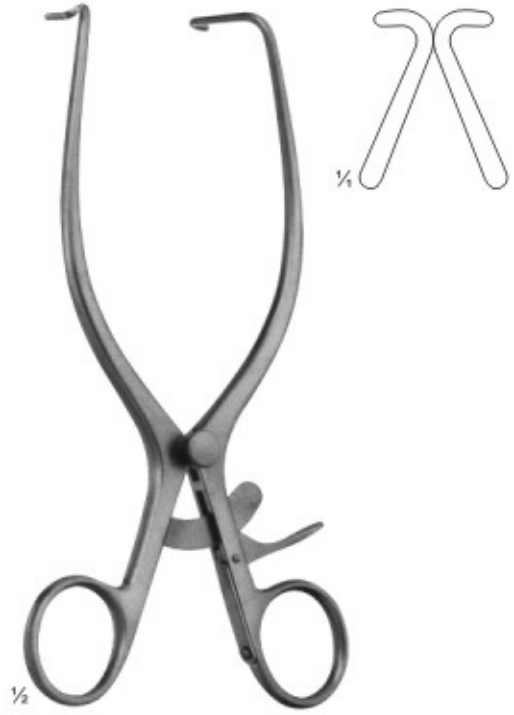


06-230
PERKINS
130 mm

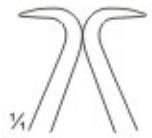
Special Retractors Spezialwundspreizer



06-231
JOLL (FRIEDMAN)
Thyroid- and vaginal retractor
155 mm



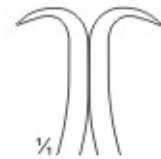
06-232
JACKSON BURROWS
Retractor, blunt
185 mm



06-233
GELPI
Vaginal retractor
135 mm



06-234
GELPI
Skin- and vaginal retractor
175 mm



06-235
DE BAKEY
Femur retractor
145 mm

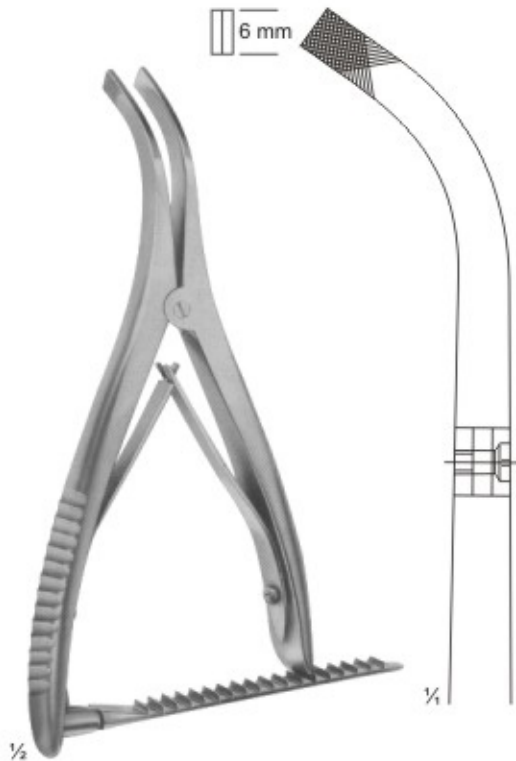
Lamina Spreaders Wirbelkörperspreizer



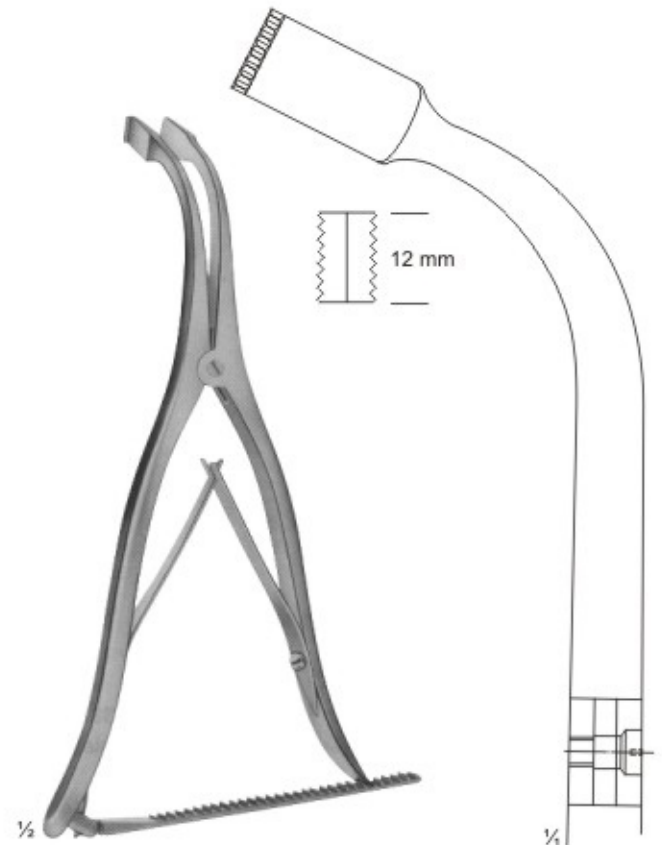
06-236
CLOWARD
155 mm



06-237
CLOWARD
135 mm



06-238
INGE
170 mm

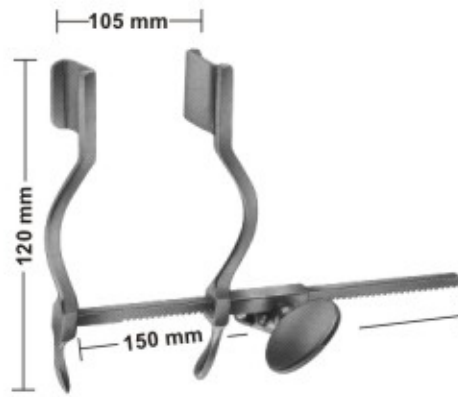


06-239
INGE
275 mm

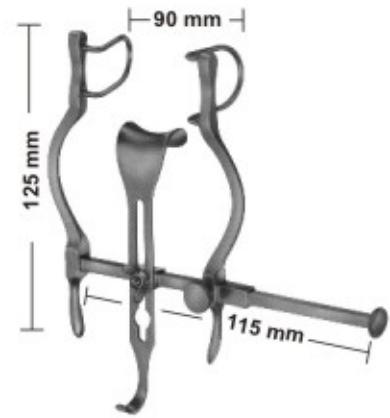
Abdominal Retractors Bauchdeckenhalter



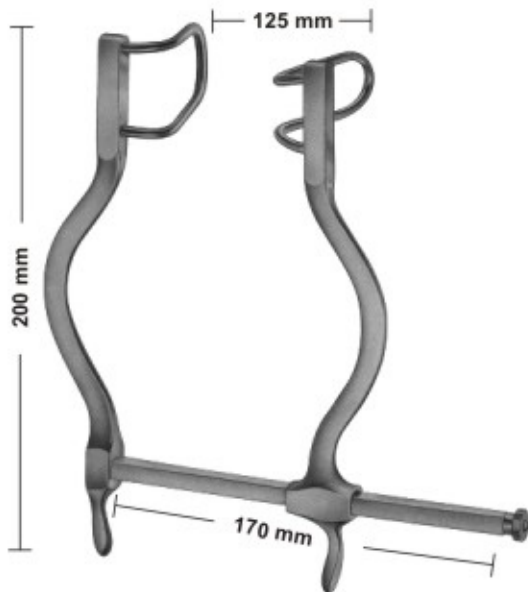
06-240
GOSSET
Blades:38 mm deep



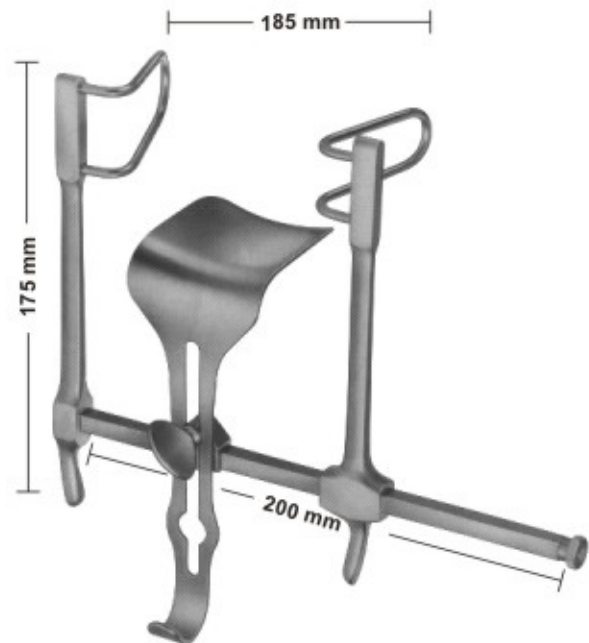
06-241
HERTZLER
Blades 20 X 25 mm



06-242
BALFOUR-BABY
Lateral blades 27 mm deep
Center blade 21x24 mm

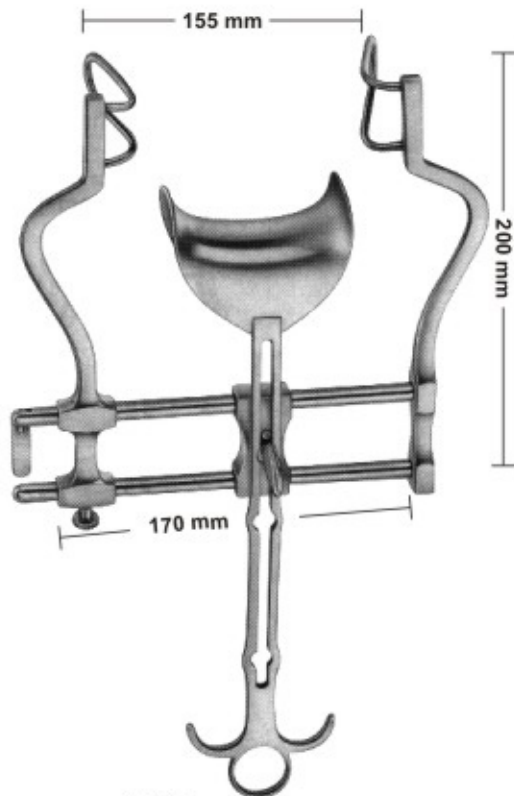


06-243
GOSSET
Blades:55mm deep

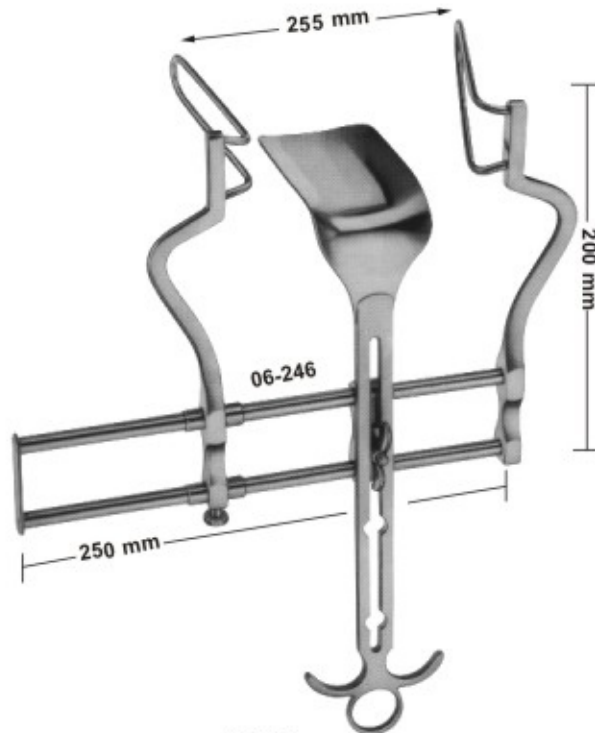


06-244
GOSSET
Lateral blades 58 mm deep
Center blade 59 x 57 mm

Abdominal Retractors Bauchdeckenhalter



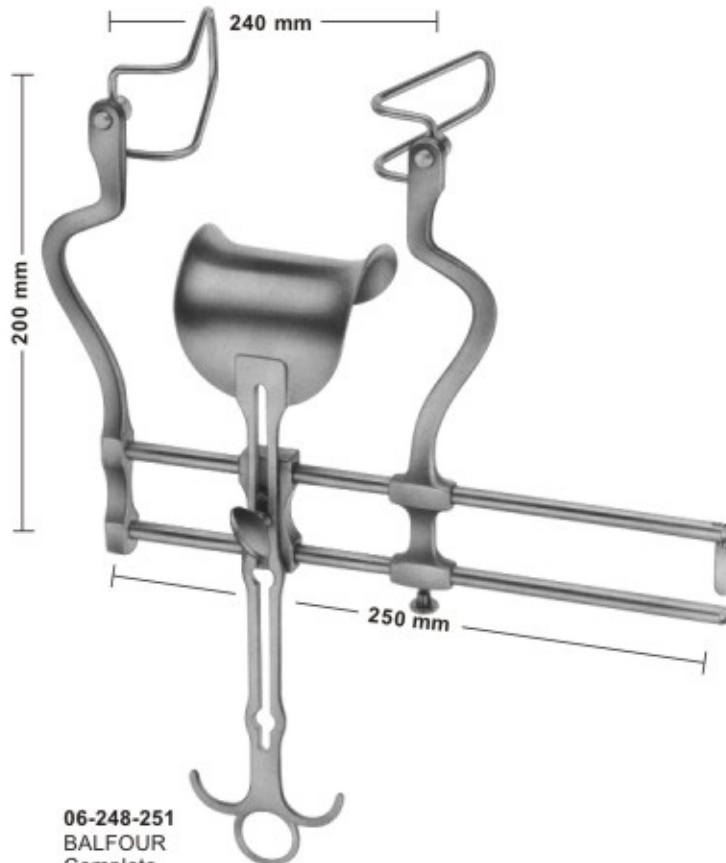
06-245
BALFOUR
Lateral blades 60 mm deep
Center blade 47 x 80 mm



06-246
BALFOUR
Lateral blades 105 mm deep
Center blade 107x 59 mm



06-247
Center blade only
54x80 mm



06-248-251
BALFOUR
Complete
Spreader only **06-248** **06-249** **06-250** **06-251**
Lateral blades 50 mm 60 mm 75 mm 90 mm
Center blade 47 x 80 mm 62x76 mm 80x80 mm 80x80 mm



Sales Unit of blades: PR = pair

Lateral blades
06-252 50 mm deep
06-253 60 mm deep
06-254 75 mm deep
06-255 90 mm deep